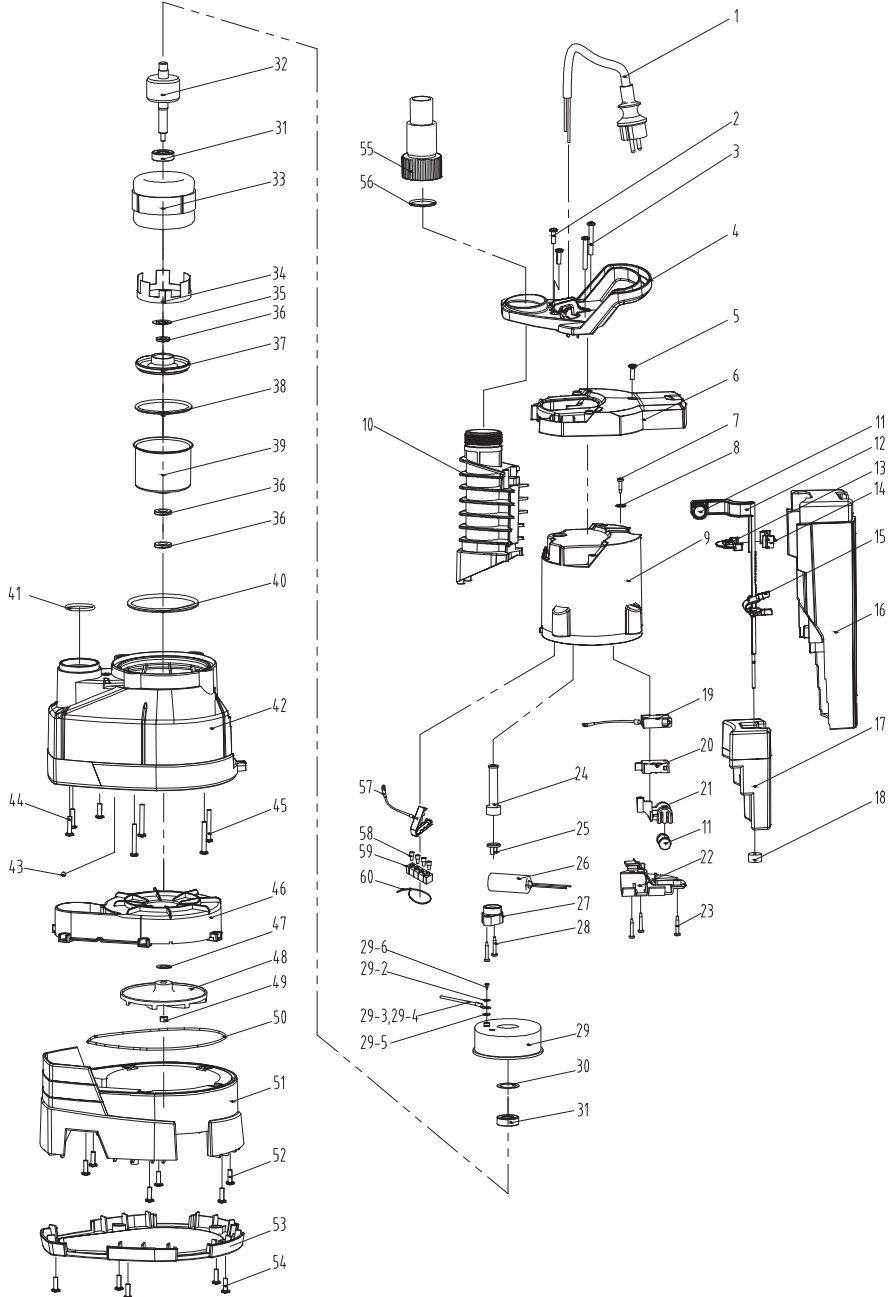


# RDP-WP28 exploded view



## PARTS LIST RDP-WP28

NO.	Description	Qty	NO.	Description	Qty
1	power line	1	30	corrugated gasket	1
2	tapping screw	2	31	bearing	2
3	tapping screw	2	32	rotor	1
4	handle	1	33	stator	1
5	tapping screw	1	34	ring gasket	1
6	cover plate	1	35	gasket	1
7	tapping screw	1	36	mechanical seal ring	3
8	O ring	1	37	Aluminum bush	1
9	rear pump shell	1	38	O ring	1
10	water outlet	1	39	front cover	1
11	magnet	3	40	O ring	1
12	pull rod	1	41	O ring	1
13	lock block	1	42	main pump shell	1
14	plectrum	1	43	steel ball	1
15	plectrum	1	44	tapping screw	3
16	shield	1	45	tapping screw	4
17	float ball	1	46	diffuser cover	1
18	rubber sheath	1	47	adjusting gasket	1
19	ground connection cover component	1	48	impeller	1
20	microswitch component	1	49	nut	1
21	magnet frame	1	50	O ring	1
22	press cake	1	51	base	1
23	tapping screw	3	52	tapping screw	6
24	cable sheath	1	53	baseboard	1
25	cable retainer	1	54	cross plate tapping screw	5
26	8 $\mu$ F capacitance	1	55	output connector	1
27	cable briquetting	1	56	O ring	1
28	tapping screw	2	57	ground connection cover	1
29	rear cover	1	58	NYLON CLOSE-END WIRI	2
29-1	wire jacket	1	58	NYLON CLOSE-END WIRI	3
29-2	washer	1	59	rubber press	1
29-3	shield	1	60	ribbon	1
29-4	lug plate	1			
29-5	washer	1			
29-6	screw	1			